



*To Promote the Progress*



*of Science and Useful Arts*

## *The Director*

*of the United States Patent and Trademark Office has received an application for a patent for a new, original, and ornamental design for an article of manufacture. The title and description of the design are enclosed. The requirements of law have been complied with, and it has been determined that a patent on the design shall be granted under the law.*

*Therefore, this United States*

# *Patent*

grants to the person(s) having title to this patent the right to exclude others from making, using, offering for sale, or selling the design throughout the United States of America or importing the design into the United States of America for the term set forth by law.



*Katherine Kelly Vidal*



DIRECTOR OF THE UNITED STATES PATENT AND TRADEMARK OFFICE

## **Maintenance Fee Notice**

No maintenance fees are required in design patents.

## **Patent Term Notice**

If the application for this patent was filed on or after May 13, 2015, the term of this patent is 15 years from the date of grant of this patent, subject to any disclaimer under 35 U.S.C. 253. If the application for this patent was filed prior to May 13, 2015, the term of this patent is 14 years from the date of grant of this patent, subject to any disclaimer under 35 U.S.C. 253.



US00D985239S

(12) **United States Design Patent**  
**Owen**

(10) **Patent No.:** **US D985,239 S**

(45) **Date of Patent:** **\*\* May 9, 2023**

- (54) **STARRED PATROL CAP**
- (71) Applicant: **T. Ross Owen**, Waynesville, NC (US)
- (72) Inventor: **T. Ross Owen**, Waynesville, NC (US)
- (\*\*) Term: **15 Years**
- (21) Appl. No.: **29/837,633**
- (22) Filed: **May 6, 2022**
- (51) **LOC (14) Cl.** ..... **02-03**
- (52) **U.S. Cl.**  
USPC ..... **D2/882**
- (58) **Field of Classification Search**  
USPC ..... D2/865, 866, 872, 873, 875, 876, 879,  
D2/882, 884, 886, 890  
CPC .... A42B 1/00; A42B 1/02; A42B 1/04; A42B  
1/041; A42B 1/06; A42B 1/18; A42B  
1/201; A42B 1/206; A42B 1/22; A42B  
1/225; A42B 1/242; A42B 1/247; A42B  
1/248; A42C 5/00  
See application file for complete search history.

- D416,376 S \* 11/1999 Schmalschlagler ..... D2/869
- D457,712 S 5/2002 Glaser
- D459,860 S 7/2002 Bussell
- D500,187 S 12/2004 Richardson
- D500,912 S 1/2005 Prinz
- D543,014 S 5/2007 Sharpe

(Continued)

*Primary Examiner* — Jasmine Mlinarcik  
(74) *Attorney, Agent, or Firm* — QuickPatents, LLC;  
Kevin Prince

(57) **CLAIM**

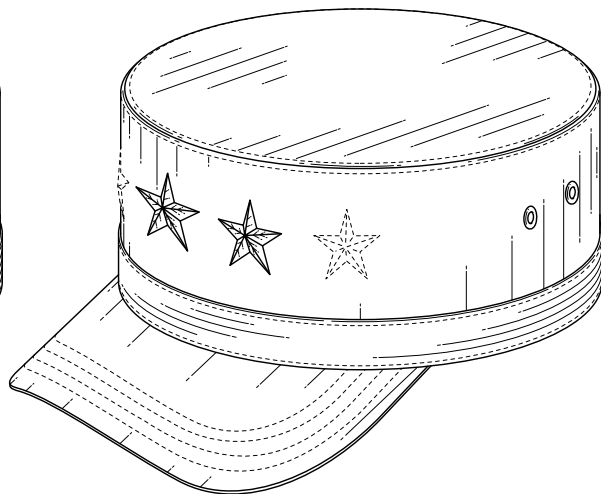
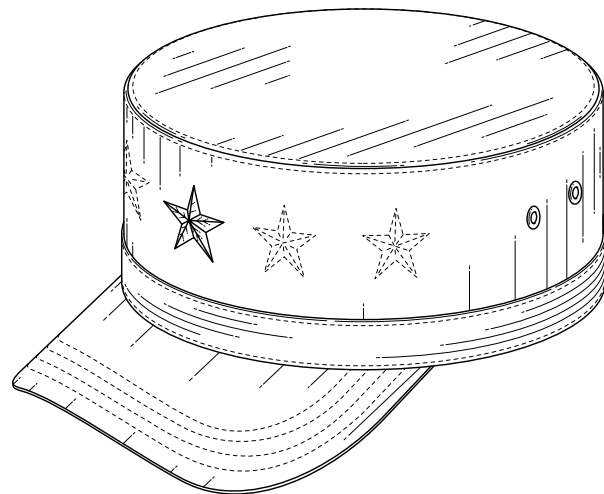
The ornamental design for a starred patrol cap, as shown and described.

**DESCRIPTION**

FIG. 1 is a top perspective view of a starred patrol cap, showing a first embodiment of my new design; FIG. 2 is a bottom perspective view of FIG. 1; FIG. 3 is a front elevational view of FIG. 1; FIG. 4 is a rear elevational view of FIG. 1; FIG. 5 is a right-side elevational view of FIG. 1, the left-side elevational view being a mirror image thereof; FIG. 6 is a top plan view of FIG. 1; FIG. 7 is a bottom plan view of FIG. 1; FIG. 8 is a top perspective view of a second embodiment thereof; FIG. 9 is a bottom perspective view of FIG. 8; FIG. 10 is a front elevational view of FIG. 8; FIG. 11 is a rear elevational view of FIG. 8; FIG. 12 is a right-side elevational view of FIG. 8, the left-side elevational view being a mirror image thereof; FIG. 13 is a top plan view of FIG. 8; and, FIG. 14 is a bottom plan view of FIG. 8.

The broken line outlines of the stars in FIGS. 1, 3, 5, 8, 10, and 12 depict portions of the starred patrol cap that form no part of the claimed design. The remaining broken lines represent stitching, and are part of the claimed design.

**1 Claim, 12 Drawing Sheets**



(56)

References Cited

U.S. PATENT DOCUMENTS

D619,336 S 7/2010 Eyl  
 D623,384 S 9/2010 Balconi  
 D636,976 S \* 5/2011 McIntosh ..... D2/882  
 D670,478 S 11/2012 Kennedy  
 D672,119 S 12/2012 Mayleben  
 D672,535 S 12/2012 Phan  
 D672,939 S 12/2012 Jacquart  
 D673,352 S \* 1/2013 Robinson ..... D2/876  
 D691,349 S 10/2013 Pearson  
 D697,288 S \* 1/2014 Pearson ..... D2/882  
 D709,674 S 7/2014 Gomes  
 D711,631 S 8/2014 Gomes  
 D718,021 S 11/2014 Werczberger  
 D748,379 S 2/2016 Fitzpatrick  
 D758,704 S 6/2016 Cooney  
 D764,150 S 8/2016 Lacy  
 D781,534 S \* 3/2017 Maher, III ..... D2/876  
 D787,786 S 5/2017 Lacy

D791,448 S 7/2017 Williams  
 D793,038 S \* 8/2017 Freeman ..... D2/882  
 D811,056 S 2/2018 Zenoff  
 D816,954 S 5/2018 Chock  
 D831,309 S 10/2018 Munoz  
 D831,310 S 10/2018 Agnese  
 D852,469 S 7/2019 Dann  
 D866,928 S \* 11/2019 Aronson ..... D2/895  
 D876,755 S \* 3/2020 Gonzalez ..... D2/866  
 D901,844 S 11/2020 McGuinness  
 D909,015 S 2/2021 Lee  
 D911,677 S 3/2021 Israilov  
 D917,134 S 4/2021 Chen  
 D931,578 S 9/2021 White  
 D933,336 S 10/2021 Cohen  
 D948,174 S 4/2022 Putnam  
 2003/0159707 A1 8/2003 Di Luca  
 2010/0011631 A1 \* 1/2010 Thompson ..... G09F 19/00  
 40/1  
 2017/0119081 A1 5/2017 Lee

\* cited by examiner

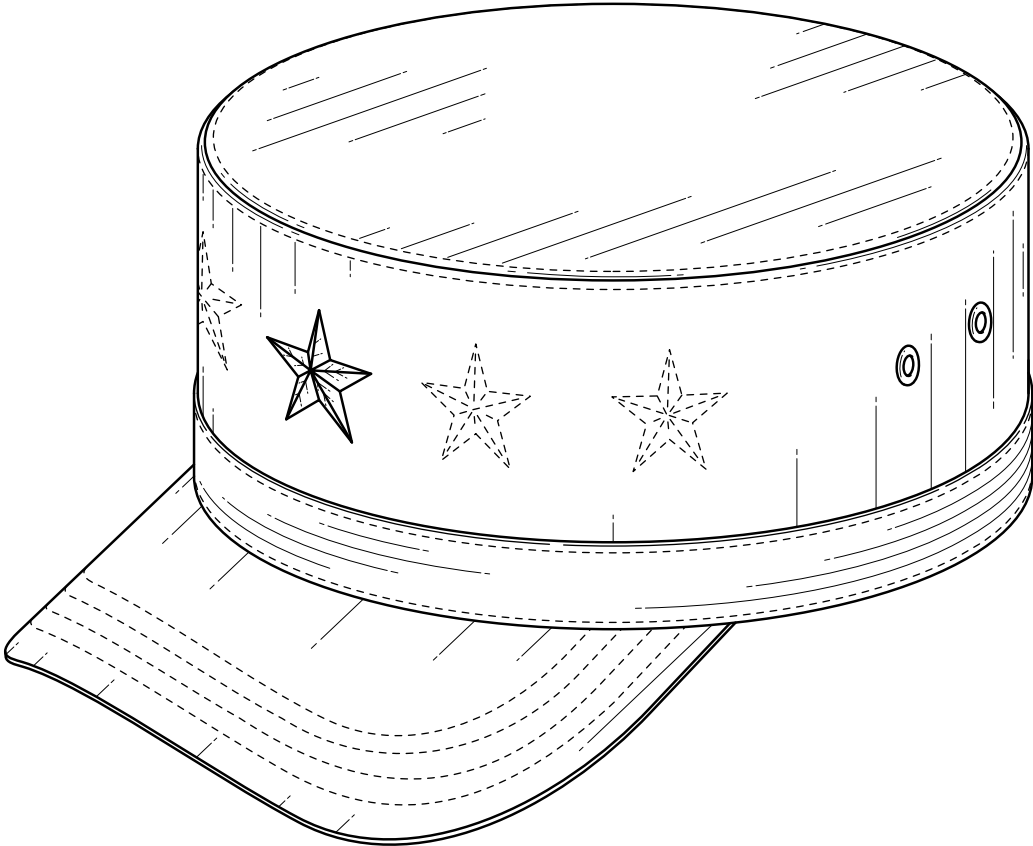


FIG. 1

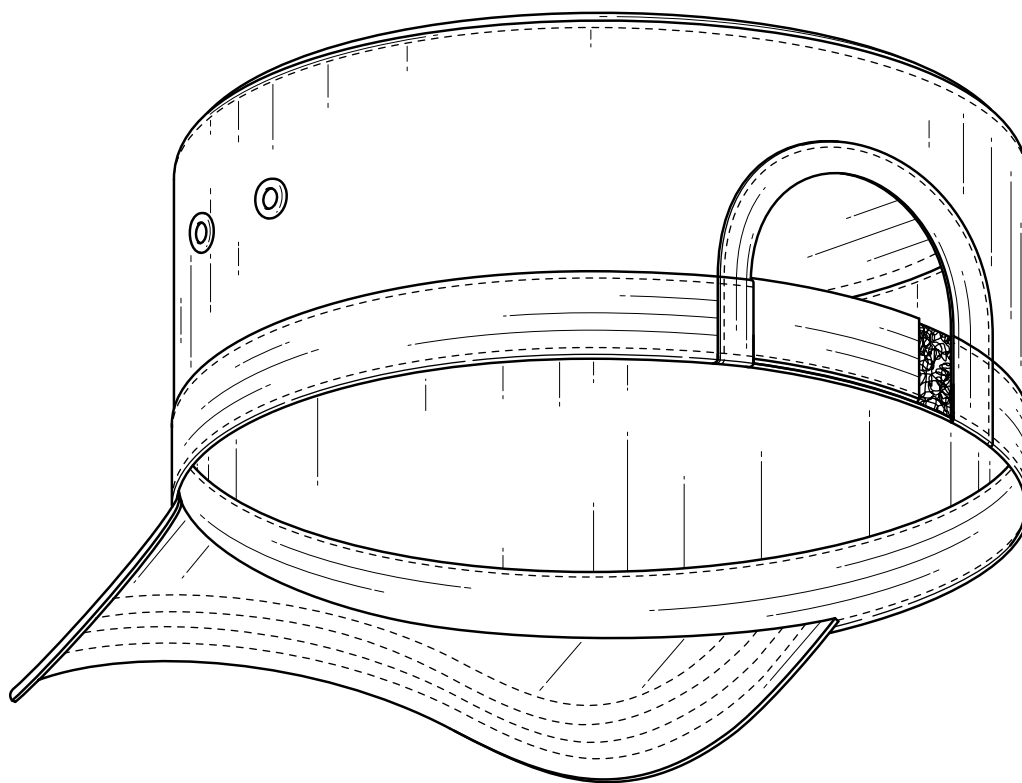


FIG. 2

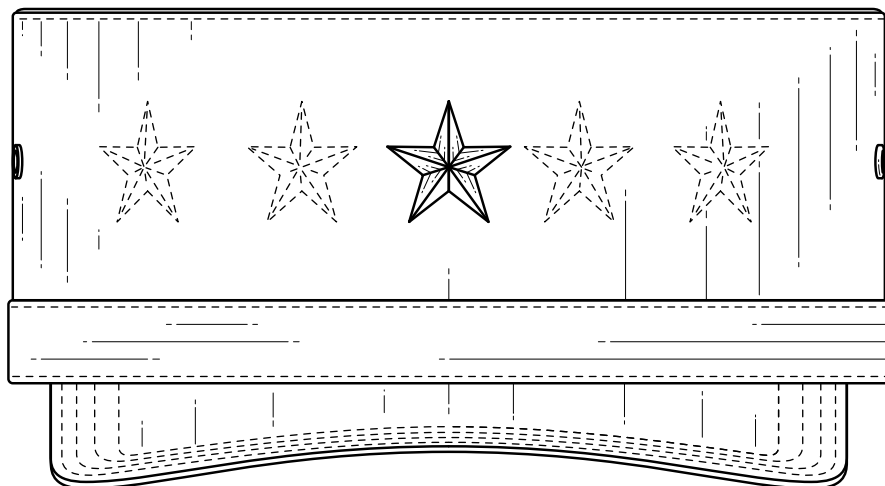


FIG. 3

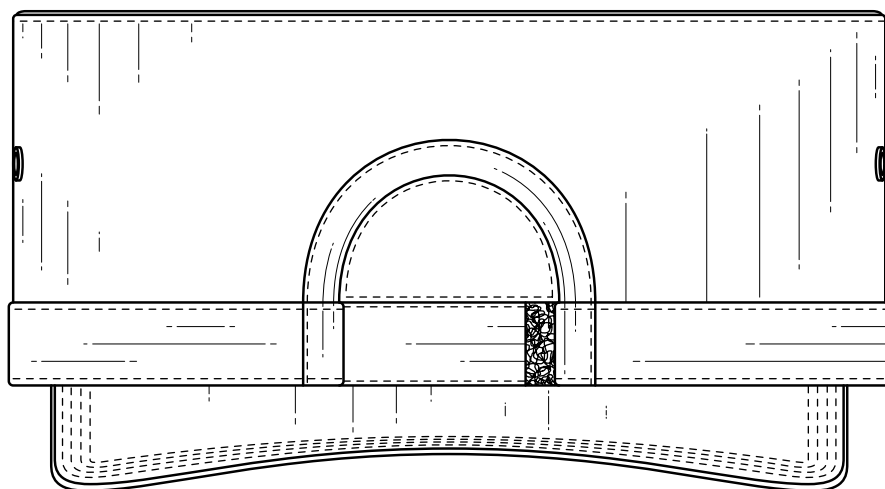


FIG. 4

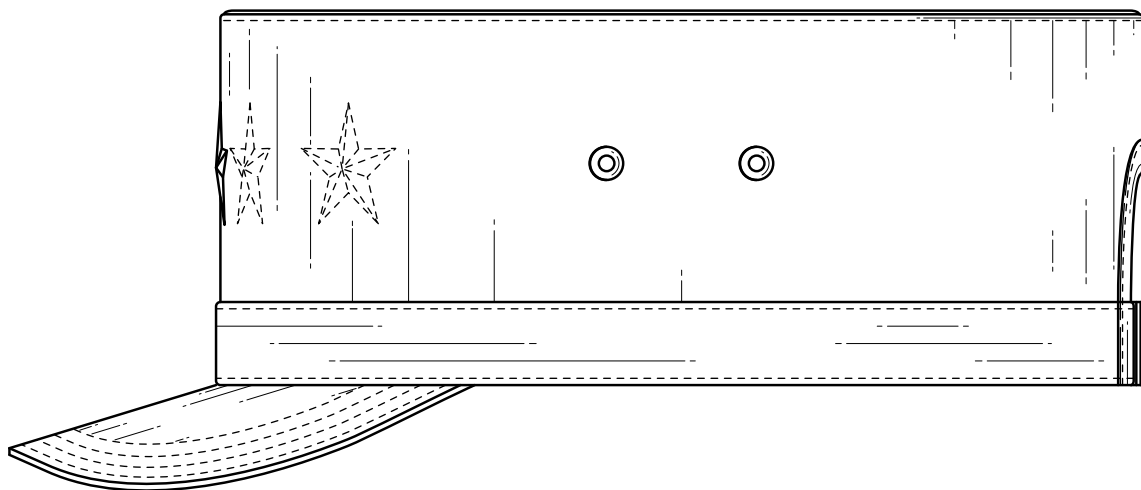


FIG. 5



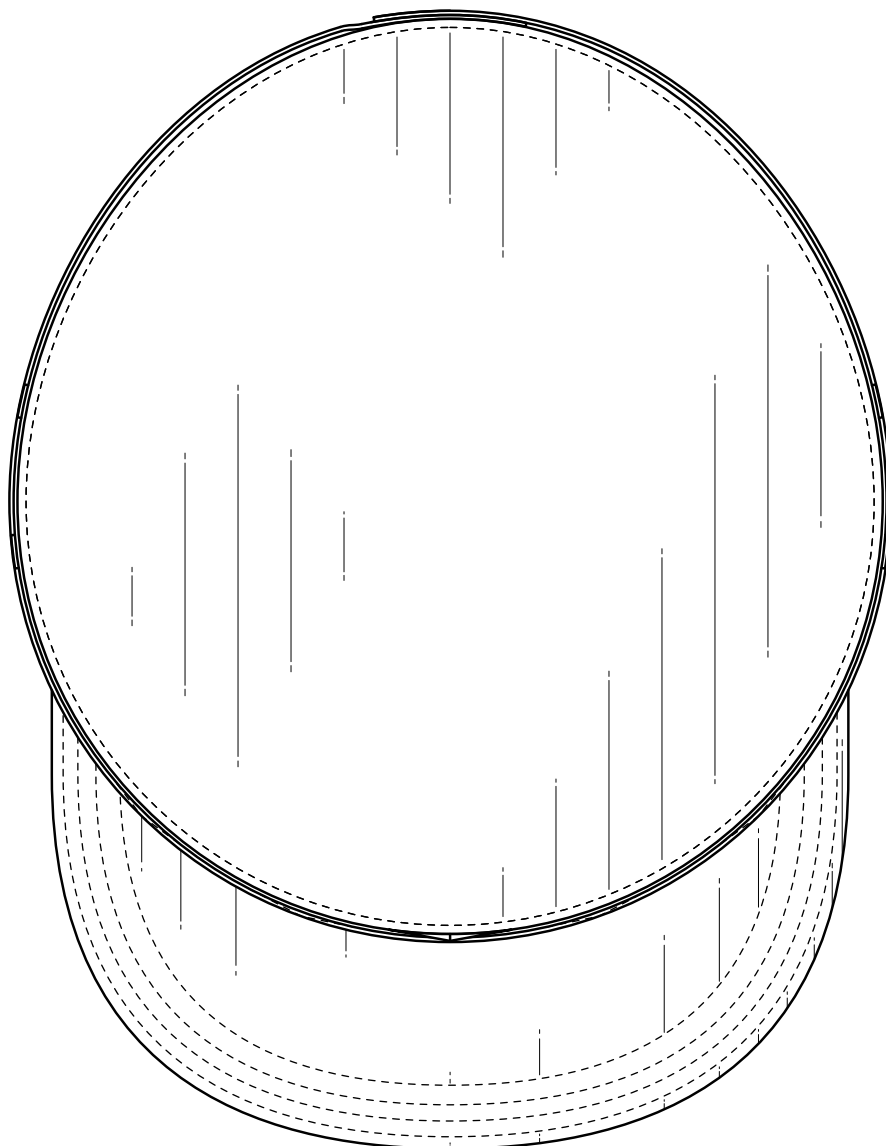


FIG. 6

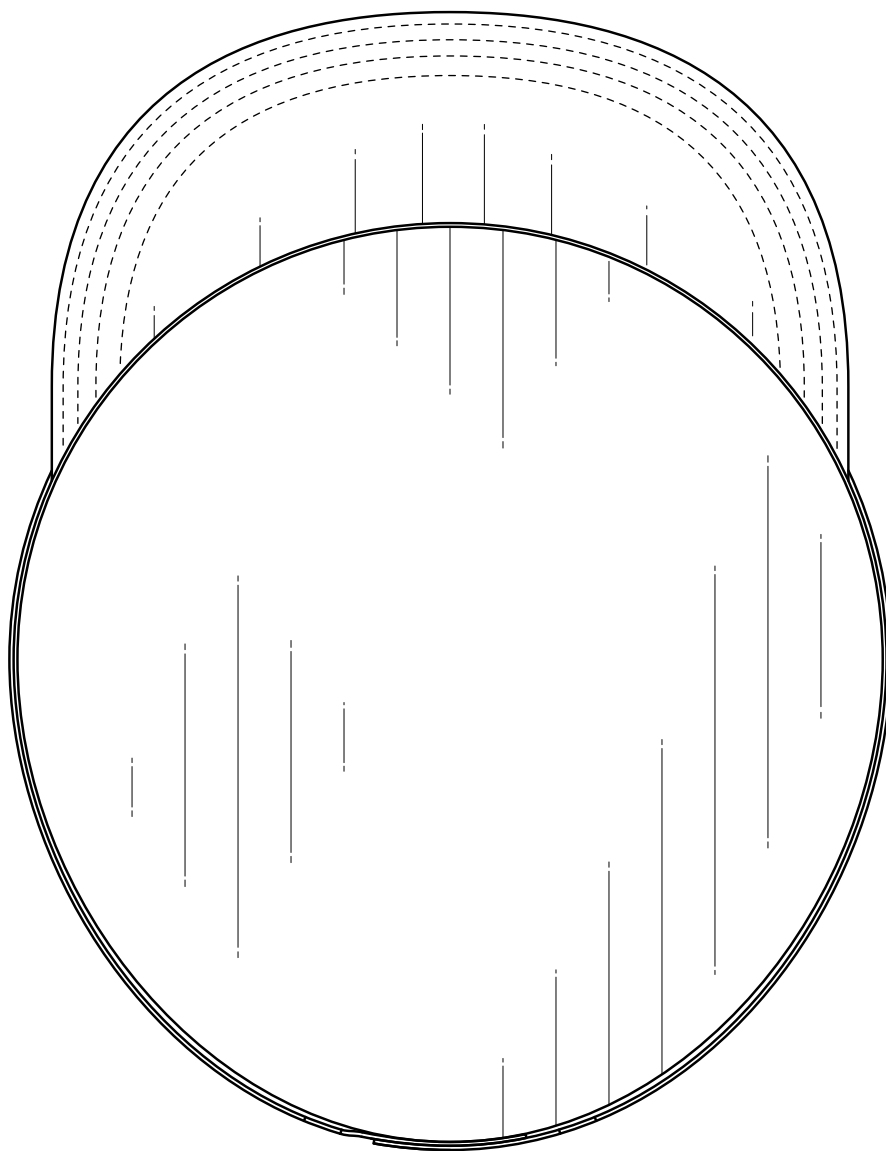


FIG. 7

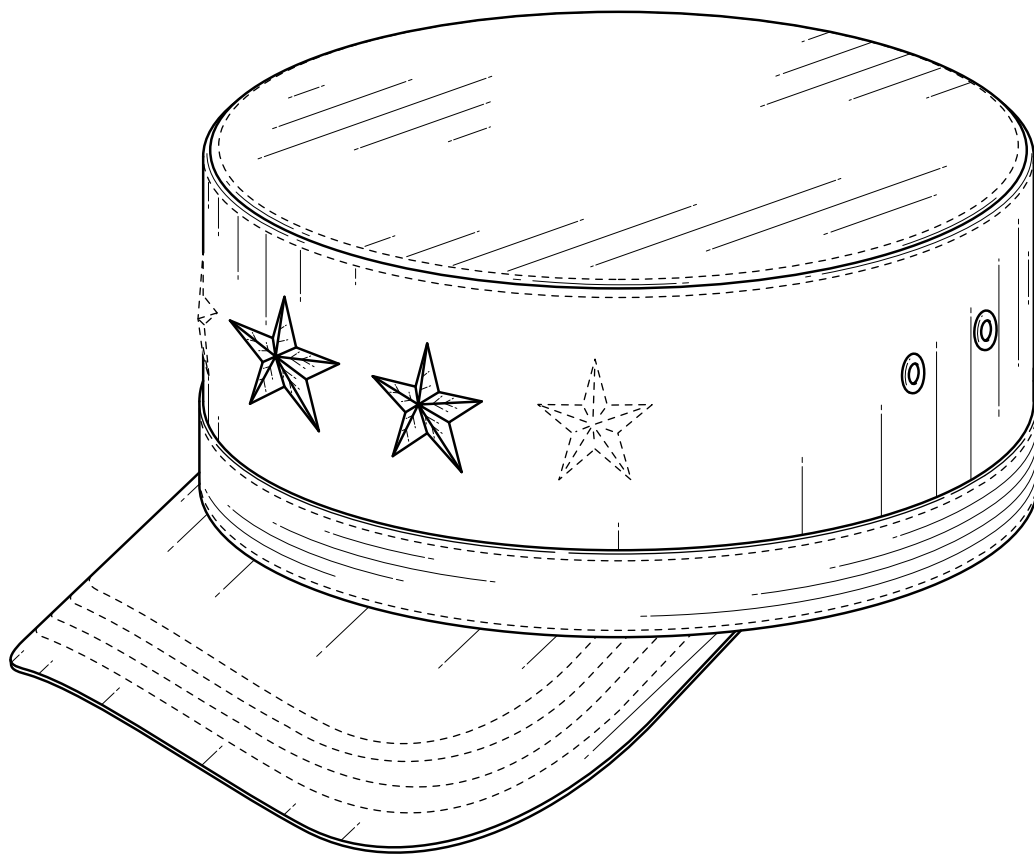


FIG. 8

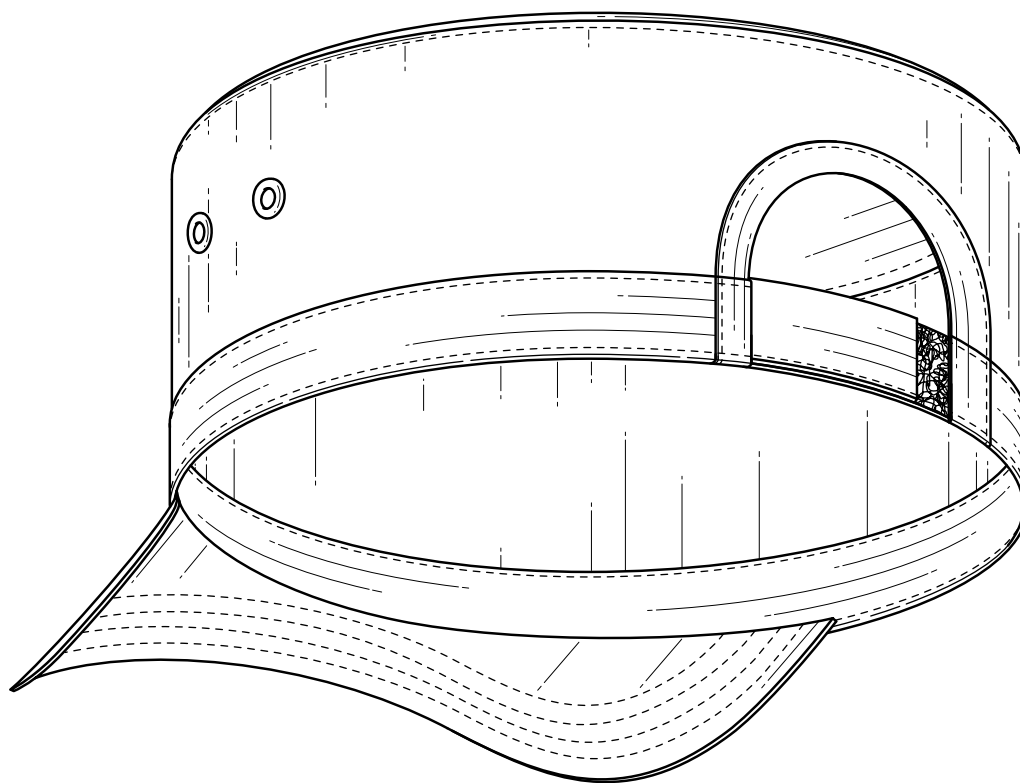


FIG. 9

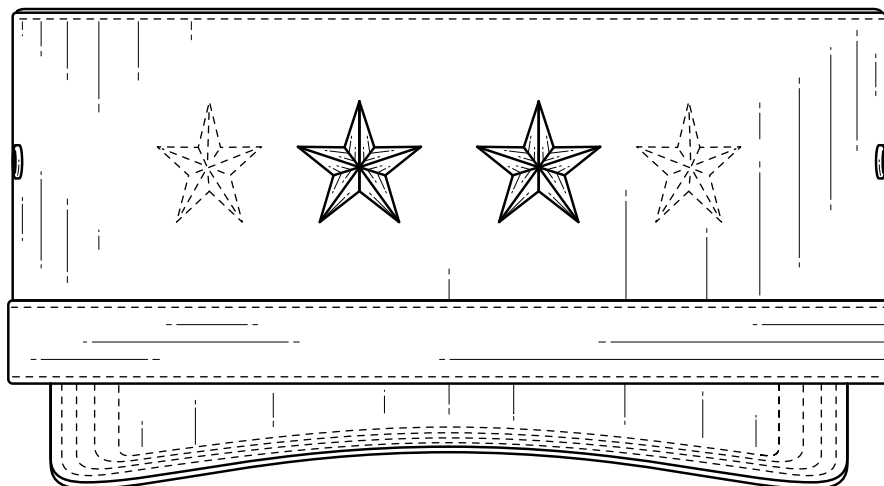


FIG. 10

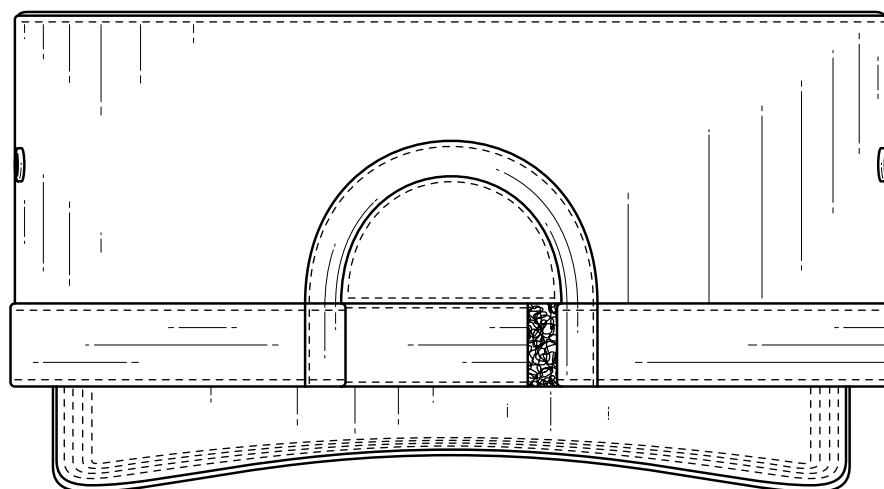


FIG. 11

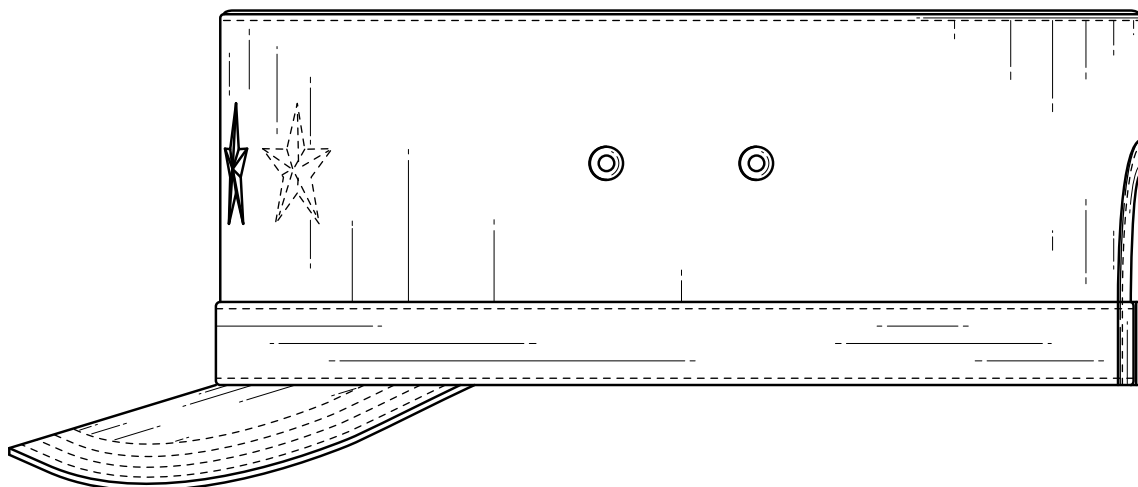


FIG. 12

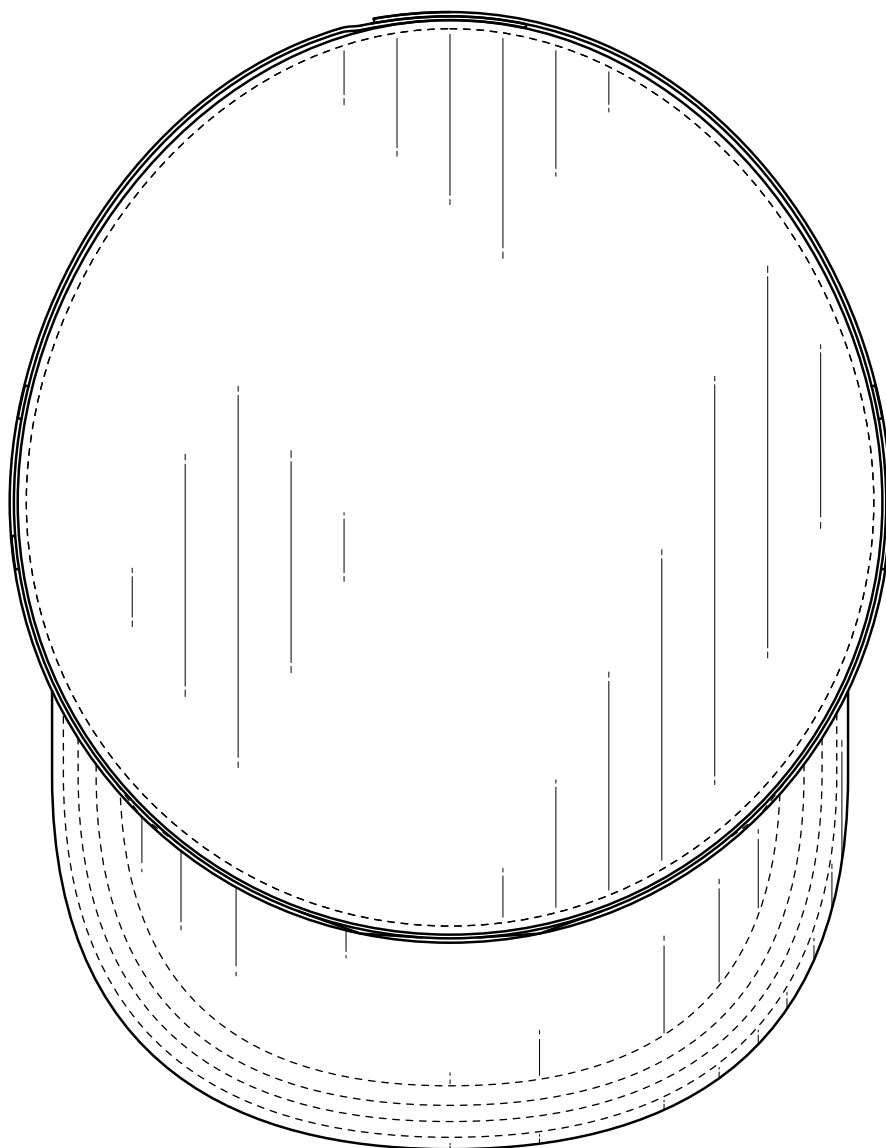


FIG. 13

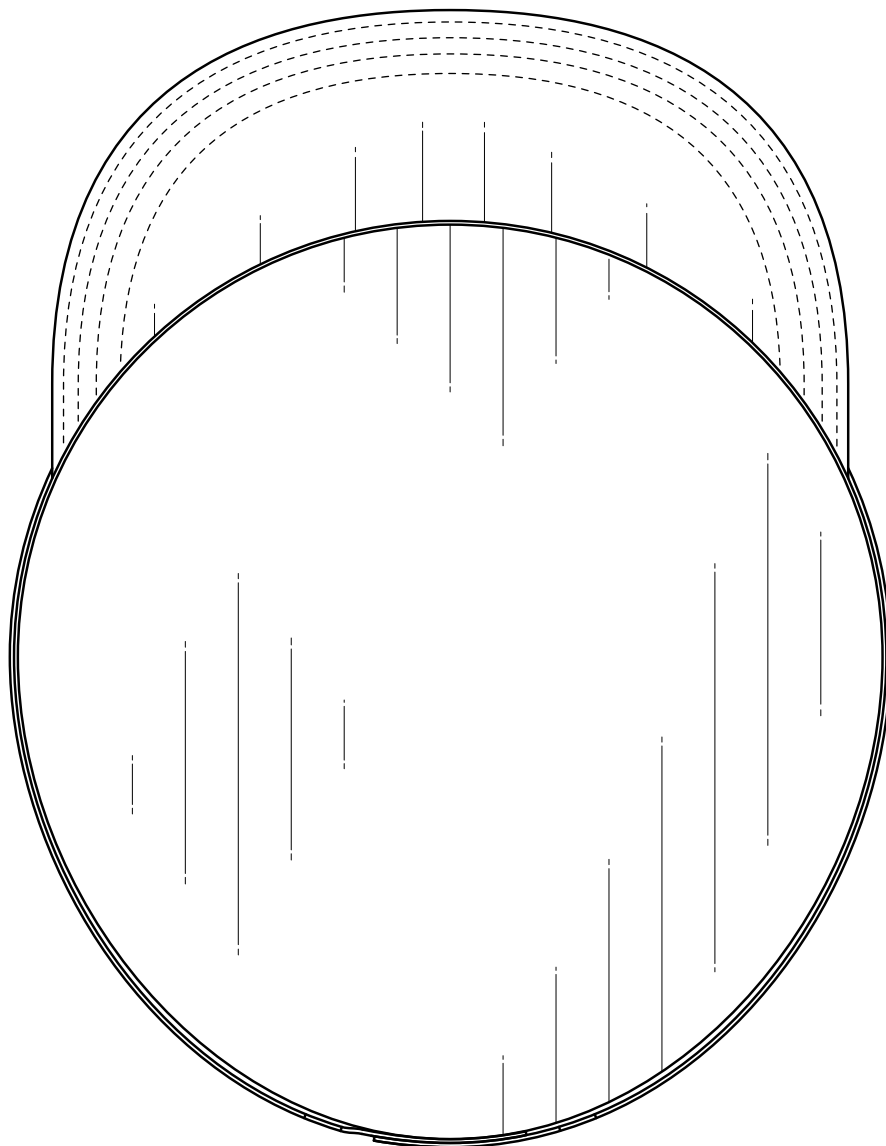


FIG. 14